



IMAGES ARE SUBJECT TO CHANGE

Powerful 3D Perspective™ Technology

The XR3D-5s, powered by BioSans™, is an easy to operate, single view scanner that provides operators with extremely detailed, more revealing images, enhanced detection capabilities and a very low cost of ownership.

With a tunnel opening of 550 mm wide by 350 mm high (21.7" x 13.8"), the XR3D-5s is the ideal solution for tight spaces and a variety of usages such as critical infrastructures, transportation and border operations where screening of parcels, bags and mail is required.

VOTI's scanners employ innovative 3D Perspective™ technology to deliver exceptional threat detection capabilities. Through an advanced intuitive touch screen interface, operators can manipulate and enhance scanned images in a variety of ways to better pinpoint and evaluate potential threats. The overall threat detection process is enhanced by a suite of software guided tools and features, including extended and configurable threat libraries.

Product Highlights

- 3D Perspective™ Dual Energy Imaging
- Icon-Driven GUI with LCD Touch Screen
- Threat Alert and Material Classification
- One-touch, Instant View Last Five Bags
- Dynamic Pseudo Density Layering
- Multilingual Operation
- Auto-Archiving
- Network-Ready

General Specifications

Dimensions:	Length (L): 1477 mm (58.1")
	Height (H): 1349 mm (53.1")
	Width (W): 762 mm (30")
Conveyor height:	762 mm (30") from floor
Tunnel size:	550 mm x 350 mm (21.7" by 13.8")
Max. object size:	535 mm x 325 mm (21 by 12.8")
Conveyor speed:	0.22 m/s (44'/min.) variable speed, bi-directional
Conveyor load:	165 kg (364 lbs) max. evenly distributed weight
Approx weight:	390 kg (860 lbs)
System power:	110/240 VAC 10/5 A 50/60 Hz

X-ray Generator and Image Performance

Generator:	Single x-ray generator operating at 140 kV
Cooling:	Sealed oil bath
Orientation:	Diagonal upwards
Duty cycle:	100%
Detectors:	Dual energy silicone photo diodes for color coding and material classification
Wire resolution:	Up to 40 AWG
Steel penetration:	Up to 30 mm*

*As measured on VOTI proprietary test piece.

Computer Specifications

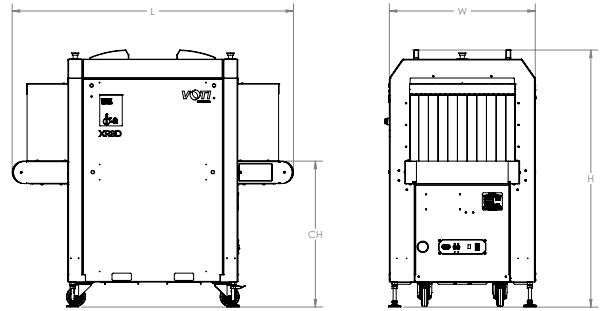
Networking:	WiFi/Ethernet/LTE options
Monitor:	22" colour LCD touch screen Resolution: 1920 x 1080

Operating Environment

Storage temperature:	-20 to 60°C
Operating temperature:	+0 to 40°C
Relative humidity:	Up to 95% non-condensing

Certified to UL 61010-1, CAN/CSA 22.2 No. 61010-1-04, IEC 61010-1:2001
CE compliant: 2006/95/EC, 2006/42/EC, 2004/108/EC
FCC part 15
FDA title 21, CFR 1010.2
FDA title 21, CFR 1010.3
FDA title 21, CFR 1020.4
Health Canada RED Act & Safety Code 29
Maximum x-ray leakage: meets all applicable laws and regulations with respect to x-ray emitting devices
Film safety: ISO 1600/33 DIN

Dimensions



Standard Features

- 3D Perspective™ dual energy imaging
 - LCD touch screen
 - Multilingual operations
 - Remote technical support
 - Secure USB port for external storage available through BioSans™ software
 - Auto-archiving (>210,000 sessions)
 - One-touch instant view of last 5 bags
 - 25 cm shrouds
 - Fully automatic, software-driven tube seasoning
 - Network ready
 - Automatic built in test & self diagnosis
 - Scanned object counter
 - Archive management module
 - Administration module
 - Restricted secure access key
 - Bi-directional scanning
 - VotiIMAGE™
 - Image Edge Enhancement (IEE)
 - Black & white and inverse video
 - Variable contrast control
 - Digital zoom to 64x, pan and flip
 - Dynamic pseudo layering
 - VotiMAT™
 - Z^{eff} color image
 - Organic / inorganic stripping
 - Z^{eff} based calculation
 - VotiDENS™
 - Automatic High Density Alert (HDA)
- HD and VHD enhancement



Applications & Options

- Digital picture of objects scanned
- Extended roller tables
- Pressure sensitive mat
- Additional LCD touch screen
- Uninterruptible power supply (UPS)
- Power conditioner
- Stainless steel conveyor covers
- Operator console
- Monitor/console display stand
- Operator workstation
- VotiALERT™
 - Threat Detection Assistance with alerts for operator
 - Material Classification
 - Suspect Archive Tagging and Lookup
- VotiRAM™
 - Risk Assessment Management (RAM) module with customizable operation and detection parameters
 - 5 security Levels
- VotiTIP™
 - Threat Image Projection software
 - TIP management system software
- VotiPMD™
 - Auto-detection of precious metals such as gold and platinum
- VotiMAIL™
 - Dynamically adjust the signal strength of the x-ray generator to visualize low-density objects

These specifications are subject to change without notice.

© Copyright 2008-2020 VOTI Inc. - All rights reserved.

CANADIAN TECHNOLOGY

